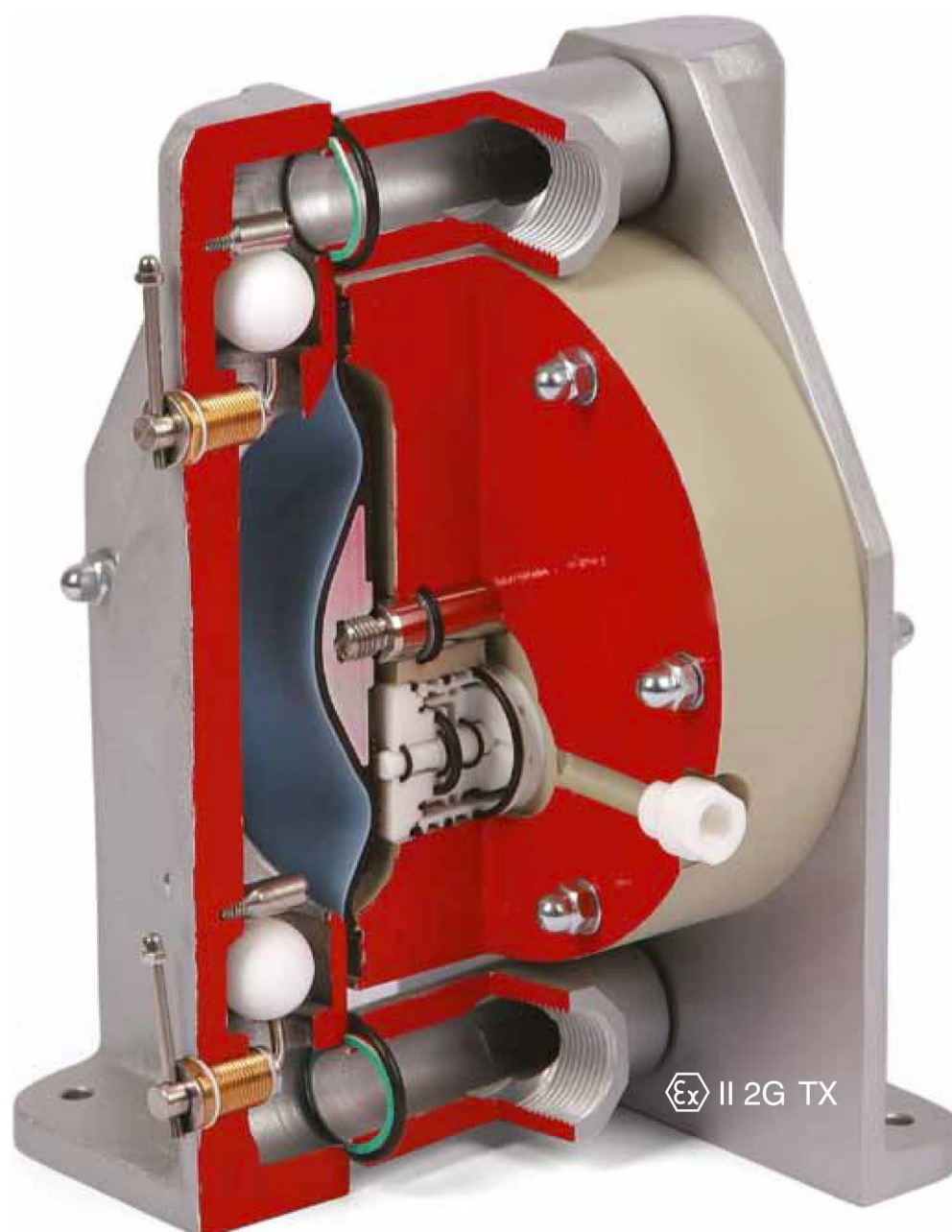


METAL PUMPS



1. Designed to succeed

- temperatures up to 120 °C
- pressure up to 16 bar
- lubrication-free operation
- low air consumption

2. Flexible installations

- BSP as standard,
- PN10, PN16, ANSI, NPT, split manifold configurations available
- connections may rotate 180°

3. Solid and strong

- gentle pumping action
- viscous product transfer
- the valve seat made of AISI 316 is integrated with pump housing

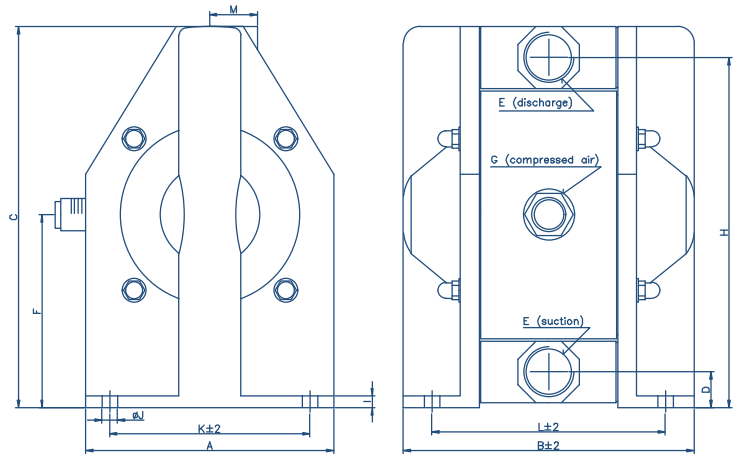
4. Perfect diaphragm

- completely smooth liquid side surface (no hole)
- no metal in contact with the liquid



ALUMINIUM, ALUMINIUM WITH PTFE, CAST IRON

DIMENSIONAL DRAWING



DIMENSIONS	A	B	C	D	E	F	G	H	I	øJ	K	L	M
DM 15/25	104	122	166	17	G 1/2"	85	R 1/8"	153	5	7	84	98	20
DM 20/75	150	171	230	21	G 3/4"	84	R 1/4"	212	7	9	116	133	31
DM 25/125	200	202	305	27	G 1"	115	R 1/4"	280	7	9	160	164	34
DM 40/315	273	267	417	34	G 1 1/2"	110	R 1/2"	382	11	9	220	213	45
DM 50/565	352	345	546	48	G 2"	165	R 1/2"	501	10	9	282	281	58

TECHNICAL DATA

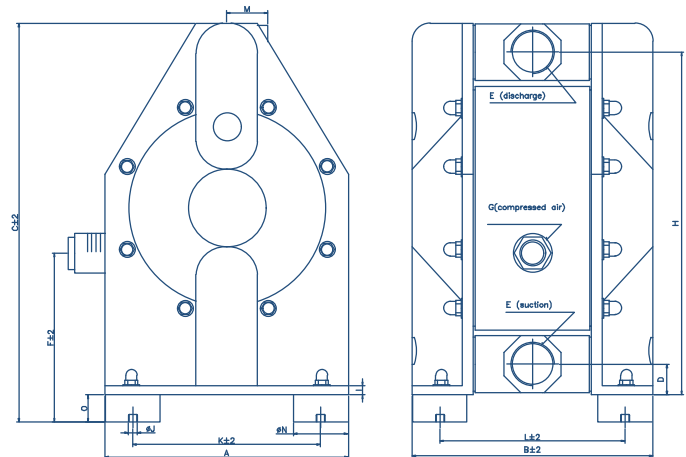
	15/25	20/75	25/125	40/315	50/565
Max capacity (l/min)	25	75	125	315	565
Max pressure (bar)	8				
Nominal port size	1/2"	3/4"	1"	1 1/2"	2"
Air connection	R 1/8"	R 1/4"	R 1/4"	R 1/2"	R 1/2"
Suction lift dry (mWC)	2	3	4	4	5
Suction lift wet (mWC)	9				
Max diameter solids (mm)	3	4	7	10	12
Temperature limits - NBR, EPDM (°C)	80				
Temperature limits - PTFE (°C)	120				
Weight - Alu (kg)	1.9	4.9	8	18	33
Material of pump housing	Aluminium, Aluminium Coated with PTFE, Cast Iron				
Diaphragm options	NBR, EPDM or TFM/PTFE				
Valve balls	NBR, EPDM, PTFE, AISI 316, PU				
O-rings	NBR, EPDM, or FEP/FPM				

The above figures represent EPDM-fitted pump capabilities.
It can vary for PTFE-fitted diaphragm.



STAINLESS STEEL AISI 316 - INDUSTRIAL

DIMENSIONAL DRAWING



DIMENSIONS	A	B	C	D	E	F	G	H	I	ØJ	K	L	M	N	O
DM 20/75	150	171	230	21	G 3/4"	86	R 1/4"	212	6	8	118	139	31	30	18
DM 25/125	200	202	306	29	G 1"	117	R 1/4"	282	6	8	160	164	34	40	28
DM 40/315	270	267	412	34	G 1 1/2"	100	R 1/2"	380	8	9	213	213	46	40	28
DM 50/565	350	345	538	48	G 2"	115	R 1/2"	493	11	9	286	285	58	60	30

TECHNICAL DATA

	20/75	25/125	40/315	50/565
Max capacity (l/min)	75	125	315	565
Max pressure (bar)	8			
Nominal port size	3/4"	1"	1 1/2"	2"
Air connection	R 1/4"	R 1/4"	R 1/2"	R 1/2"
Suction lift dry (mWC)	3	4	4	5
Suction lift wet (mWC)	9			
Max diameter solids (mm)	4	7	10	12
Temperature limits - NBR, EPDM (°C)	80			
Temperature limits - PTFE (°C)	120			
Weight - AISI 316 (kg)	9.5	14	31	70
Material of pump housing	AISI 316			
Diaphragm options	NBR, EPDM or TFM/PTFE			
Valve balls	NBR, EPDM, PTFE, AISI 316, PU			
O-rings	NBR, EPDM, or FEP/FPM			

The above figures represent EPDM-fitted pump capabilities.
It can vary for PTFE-fitted diaphragm.

