

## technical data (paddle wheel sensor) :

**flow / measuring range :**

<b>DN 25:</b>	300 ... 15.000 l/h / 900 ... 14.000 l/h
<b>DN 32:</b>	600 ... 24.000 l/h / 1.800 ... 22.000 l/h
<b>DN 40:</b>	900 ... 36.000 l/h / 3.500 ... 34.000 l/h
<b>DN 50:</b>	1.200 ... 60.000 l/h / 3.000 ... 55.000 l/h

**viscosity:** 0,5 ... 20 cST  
**accuracy:** +/- 3 %  
**repeatability:** < 0,5 %  
**operating/burst pressure:** 10 bar / >15 bar (at 22 °C)  
**operating temperature:** -10 ... 85°C  
**measuring principle:** paddle wheel  
**sensing principle:** hall-effect, non-contacting  
**output signal:** square wave  
**electrical connection:** 4,5 ... 24 V<sub>DC</sub>  
 Push/Pull; output current: 15mA *max.* at 24V

**cubic plug:** EN 175301-803A

**IP rating:** IP65

### materials

**Fitting / Sensor Head:** PP / V2A  
**Rotor:** 5-Paddel-Rotor E-CTFE (Harlar)  
**Magnets:** capped in E-CTFE  
**Shaft / Bearing:** Ceramic (AL<sub>2</sub>O<sub>3</sub>) / Ceramic  
**O-Ring (optional):** Viton, EPDM or Kalrez

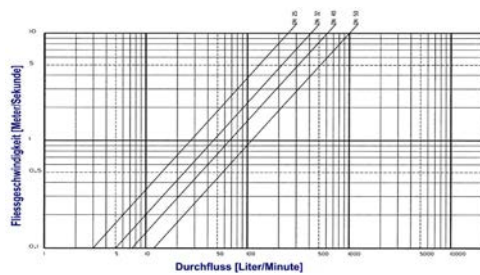
**dimensions** please refer to dimensional drawing below

*calculation of frequency of the flow sensor:*

$$\text{Frequency [Hz]} = 42 \times \text{flow [m/s]}$$

Example of frequency determination:  
 500 l/min for DN 50

## pulse curve :



## dimensions :

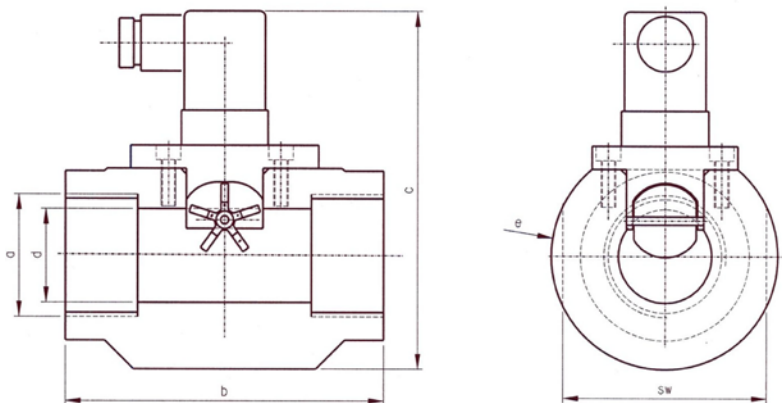
		Fitting			
		DN 25	DN 32	DN 40	DN 50
Maße in mm	b	110	110	120	125
	c	119	123	125	135
	d	25	32	40	50
	e	74	78	80	89
	SW	70	70	75	75
	Zoll	a	G 1"	G 1 1/4"	G 1 1/2"

## pin assignment plug:

*Ausführung Würfelstecker*

PIN 1 : +4,5 ... 24 V<sub>DC</sub>  
 PIN 2 : Signal  
 PIN 3 : GND

## drawing :



## safety instructions :

**Attention! Please examine the stability of the used materials regarding the chemicals used by you.**

Our flow meters may not be used as exclusive means for the prevention of dangerous conditions at machines and plants. Machines and plants must be designed in such a way that incorrect conditions cannot lead to a dangerous situation for the service personnel. The flow meter may only be used by qualified personnel, excluding technical data according to which are used. Qualified personnel are persons, who are familiar with the list, assembly, start-up and enterprise of this equipment and over one its activity corresponding the qualification orders.

**Type DN 25**

art.no. **KA91256**

**Type DN 32**

art.no. **KA91257**

**Type DN 40**

art.no. **KA91258**

**Type DN 50**

art.no. **KA91259**

**extra charge 4-20 mA**

art.no. **KA91260**  
 (2-layer + 3-layer)

**industry flow meter**