

Flow Sensor OV.01 + OV.02



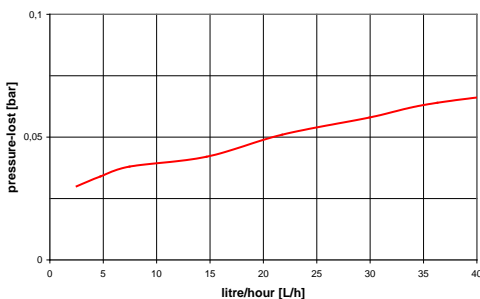
pulse output

version stainless steel with cubic plug

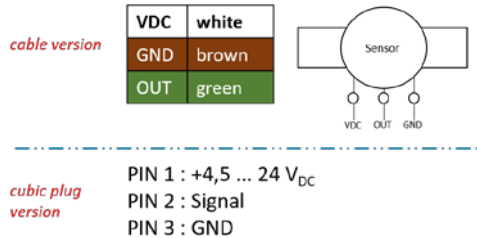
pulse curve* (H₂O at 21°C):



pressure loss curve* (H₂O at 21°C):



electrical connection:



technical details (oval wheel sensor):

flow - / measuring range:
type 01: 2.0 ... 40 l/h / 5.0 ... 40 l/h
type 02: 5.0 ... 80 l/h / 10 ... 70 l/h

measuring principle: Volumen-Messung (oval wheel)

sensing principle: hall-effect, non-contacting

output signal: square wave

IP rating: IP65

viscosity: approx. 5 ... 200 cST

accuracy: +/-2.5 % under same operating conditions

repeatability: < 0.8% under same operating conditions

flow direction: arrow direction

operating/burst pressure: max. 10 bar / >18 bar

operating temperature: 0 ... 80 °C

installation position: any, vertical in arrow direction best ventilation

hydraulic connection: 2 x G1/4" female

electrical connection: output type: complementary output stage
 power supply: 4.5 ... 24 V_{DC}
 output current: max. 11 mA at 24 V_{DC}

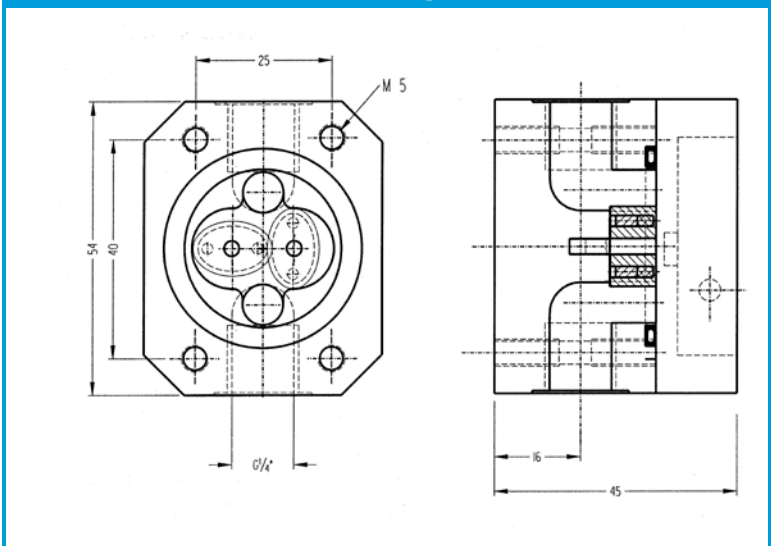
version cable sealed (code: VG)
white wire → +4.5 ... 24 V_{DC} (VDC)
brown wire → earth (GND)
green wire → signal (OUT)
 cable standard length 5 m (3x0.14 mm² LiYY)

version cubic plug (code: WS)
 PIN 1 → +4,5 ... 24 V_{DC} (VDC)
 PIN 2 → signal (OUT)
 PIN 3 → ground (GND)
 cubic plug DIN 43650 (EN175301-803A)

materials

housing:	ECTFE	PP	SS 1.4571
oval wheel:	PEEK or ECTFE		
shaft / bearing:	ZrO ₂ /PEEK or AL ₂ O ₃ /ECTFE		
magnets:	capped in PEEK or ECTFE		
seals (optional):	FKM/Viton or EPDM [option: Kalrez® upon request]		
art.no. OV.01:	KA91252xxx	KA91263xxx	KA91272xxx
art.no. OV.02:	KA91253xxx	KA91264xxx	KA91273xxx

drawing:



safety instructions:

Attention! Please examine the stability of the used materials regarding the chemicals used by you.

Our flow meters may not be used as exclusive means for the prevention of dangerous conditions at machines and plants. Machines and plants must be designed in such a way that incorrect conditions cannot lead to a dangerous situation for the service personnel. The flow meter may only be used by qualified personnel, excluding technical data according to which are used. Qualified personnel are persons, who are familiar with the list, assembly, start-up and enterprise of this equipment and over one its activity corresponding the qualification orders.

*constant flow