

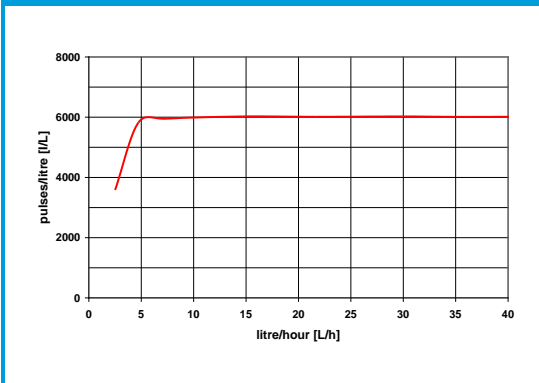
Flow Sensor OV.01 + OV.02



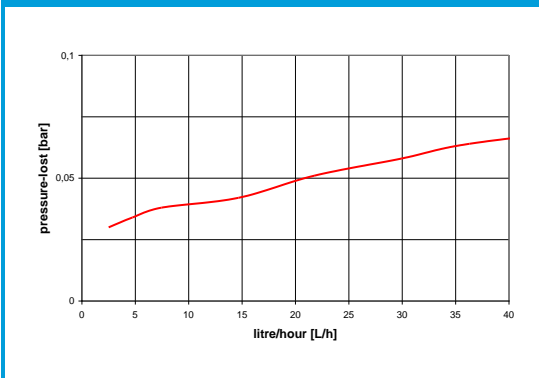
pulse output

version stainless steel with cubic plug

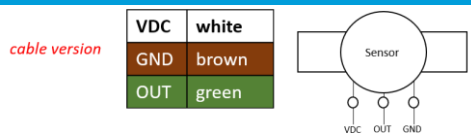
pulse curve* (H₂O at 21°C):



pressure loss curve* (H₂O at 21°C):



electrical connection:



cubic plug version

PIN 1 : +4,5 ... 24 V_{DC}
 PIN 2 : Signal
 PIN 3 : GND

technical details (oval wheel sensor):

flow - / measuring range:
type 01: 2.0 ... 40 l/h / 5.0 ... 40 l/h
type 02: 5.0 ... 80 l/h / 10 ... 70 l/h

measuring principle: Volumen-Messung (oval wheel)

sensing principle: hall-effect, non-contacting

output signal: square wave

IP rating: IP65

viscosity: approx. 5 ... 200 cST

accuracy: +/-2.5 % under same operating conditions

repeatability: < 0.8% under same operating conditions

flow direction: arrow direction

operating/burst pressure: max. 10 bar / >18 bar

operating temperature: 0 ... 80 °C

installation position: any, vertical in arrow direction best ventilation

hydraulic connection: 2 x G1/4" female

electrical connection: output type: complementary output stage
 power supply: 4.5 ... 24 V_{DC}
 output current: max. 11 mA at 24 V_{DC}

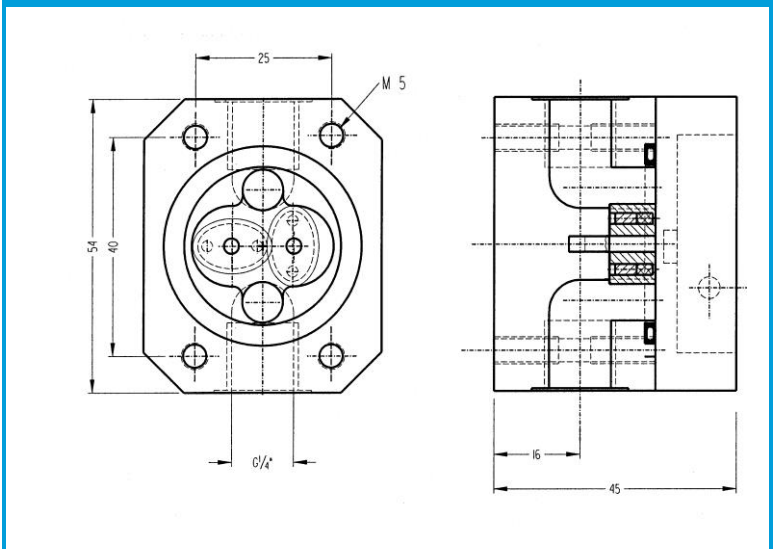
cable version: white wire → +4.5 ... 24 V_{DC} (VDC)
 brown wire → earth (GND)
 green wire → signal (OUT)
 cable standard length 5 m (3x0.14 mm² LiYY)

cubic plug version: PIN 1 → +4,5 ... 24 V_{DC} (VDC)
[option: cubic plug upon request] PIN 2 → signal (OUT)
 PIN 3 → ground (GND)
 cubic plug DIN 43650 (EN175301-803A)

materials

housing:	ECTFE	PP	SS 1.4571
oval wheel:		PEEK ***	
shaft / bearing:		ZrO ₂ ** / PEEK ***	
magnets:		caped in PEEK***	
seals (optional):	FKM / Viton or EPDM [option: Kalrez® upon request]		
art.no. OV.01:	KA91252	KA91263	KA91272
art.no. OV.02:	KA91253	KA91264	KA91273

drawing:



safety instructions:

Attention! Please examine the stability of the used materials regarding the chemicals used by you.

Our flow meters may not be used as exclusive means for the prevention of dangerous conditions at machines and plants. Machines and plants must be designed in such a way that incorrect conditions cannot lead to a dangerous situation for the service personnel. The flow meter may only be used by qualified personnel, excluding technical data according to which are used. Qualified personnel are persons, who are familiar with the list, assembly, start-up and enterprise of this equipment and over one its activity corresponding the qualification orders.

*constant flow

**also available in ceramic (Al₂O₃)

*** also available in ECTFE