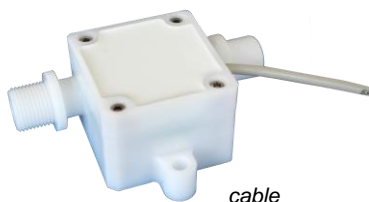


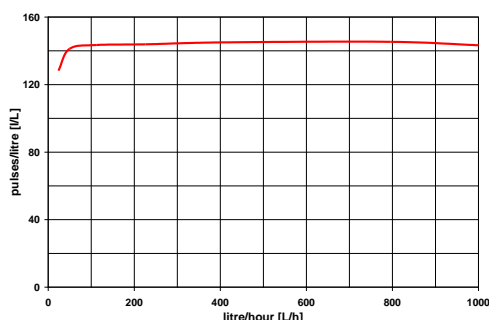
Flow Sensor R4



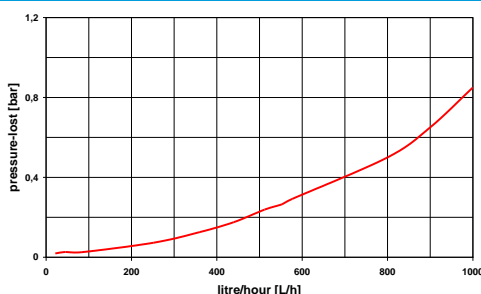
cable version

pulse output

pulse curve: *



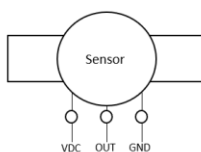
pressure loss curve: *



electrical connection:

cable version

VDC	white
GND	brown
OUT	green



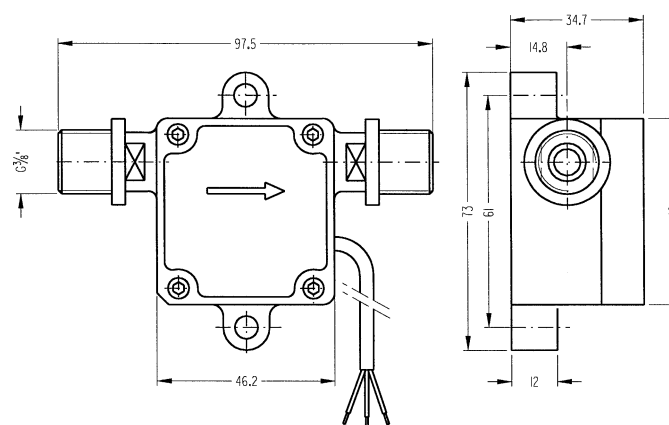
cubic plug version

PIN 1 : +4,5 ... 24 V_{DC}
 PIN 2 : Signal
 PIN 3 : GND

technical details :

flow range:	30 ... 1000 l/h
measuring range:	60 ... 900 l/h (H ₂ O at 21°C)
viscosity:	approx. 1 ... 10 cST
accuracy:	+/- 2 % under same operating conditions
repeatability:	< 0,8% under same operating conditions
flow direction:	horizontal in arrow direction, see drawing
operating/burst pressure:	max. 6 bar / > 20 bar
operating temperature:	-10 ... 80 °C
installation position:	any, horizontal in arrow direction best ventilation
measuring principle:	volume / speed measurement
sensing principle:	halleffekt, non-contacting
output signal:	square wave
hydraulic connection:	2 x 3/8" male
electrical connection:	output type: complementary output stage power supply: 4,5 ... 24 V _{DC} output current: max. 11 mA at 24 V _{DC}
cable version:	white wire → +4,5 ... 24 V _{DC} (VDC) brown wire → ground (GND) green wire → signal (OUT) cable standard length 5 m (3x0.14 mm ² LiYY)
cubic plug version:	PIN 1 → +4,5 ... 24 V _{DC} PIN 2 → signal (OUT) PIN 3 → ground (GND) cubic plug DIN 43650 (EN175301-803A)
IP rating:	IP65
materials:	version ECTFE version POM
housing / rotor:	ECTFE/ECTFE POM/POM
injector:	ECTFE POM
shaft / bearing:	Al ₂ O ₃ / Al ₂ O ₃ Corepoint / POM
magnets:	capped in ECTFE capped in POM
seals (optional):	FKM/Viton or EPDM [option: Kalrez® upon request]

drawing:



safety instructions:

Attention! Please examine the stability of the used materials regarding the chemicals used by you.

Our flow meters may not be used as exclusive means for the prevention of dangerous conditions at machines and plants. Machines and plants must be designed in such a way that incorrect conditions cannot lead to a dangerous situation for the service personnel. The flow meter may only be used by qualified personnel, excluding technical data according to which are used. Qualified personnel are persons, who are familiar with the list, assembly, start-up and enterprise of this equipment and over one its activity corresponding the qualification orders

Typ 79.R4 (ECTFE)

Typ 79.R4 (ECTFE) cubic plug

Typ 72.R4 (POM)

Typ 72.R4 (POM) cubic plug

art.no. KA91115

art.no. KA91115WS

art.no. KA91338

art.no. KA91338WS

* constant flow